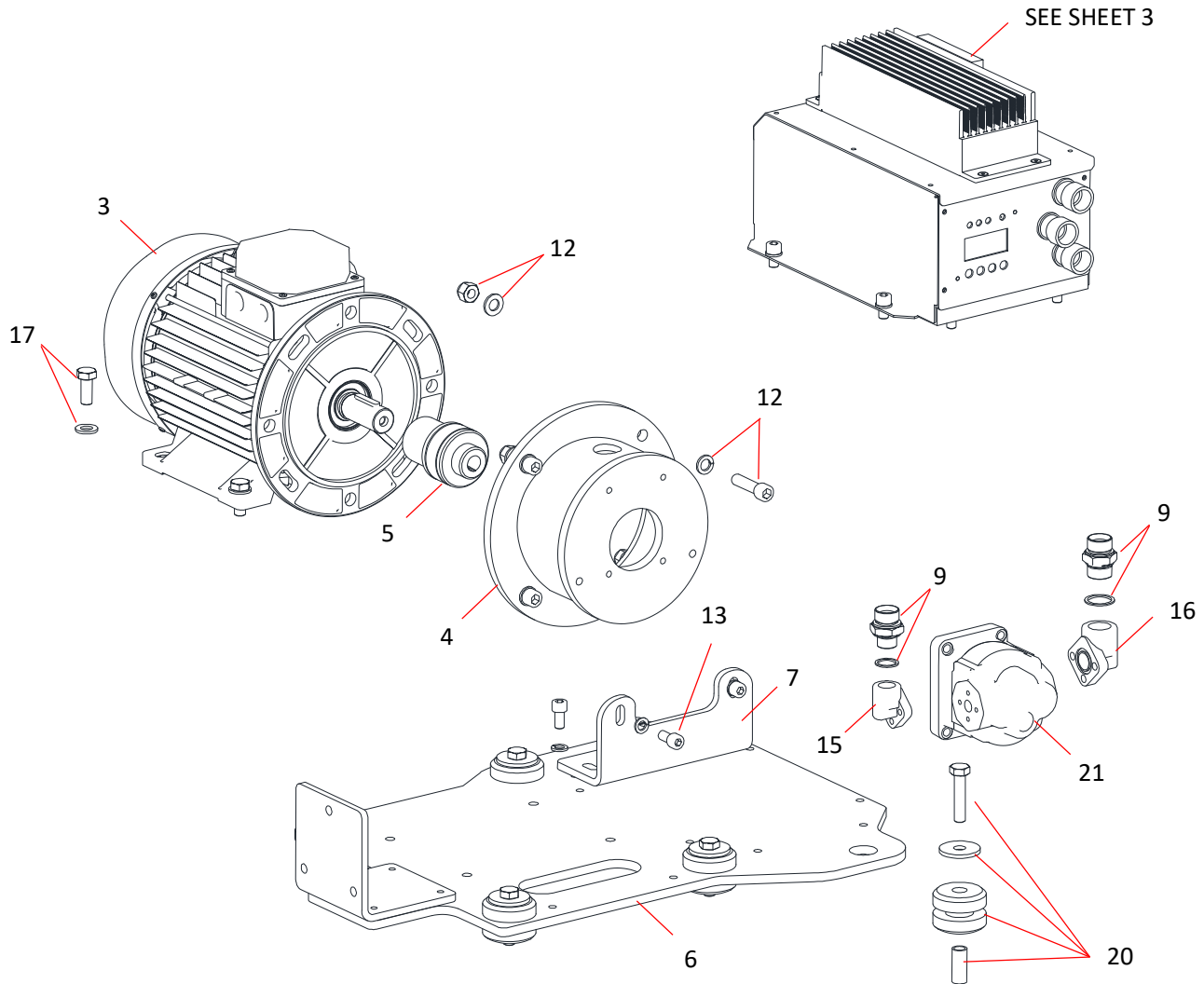
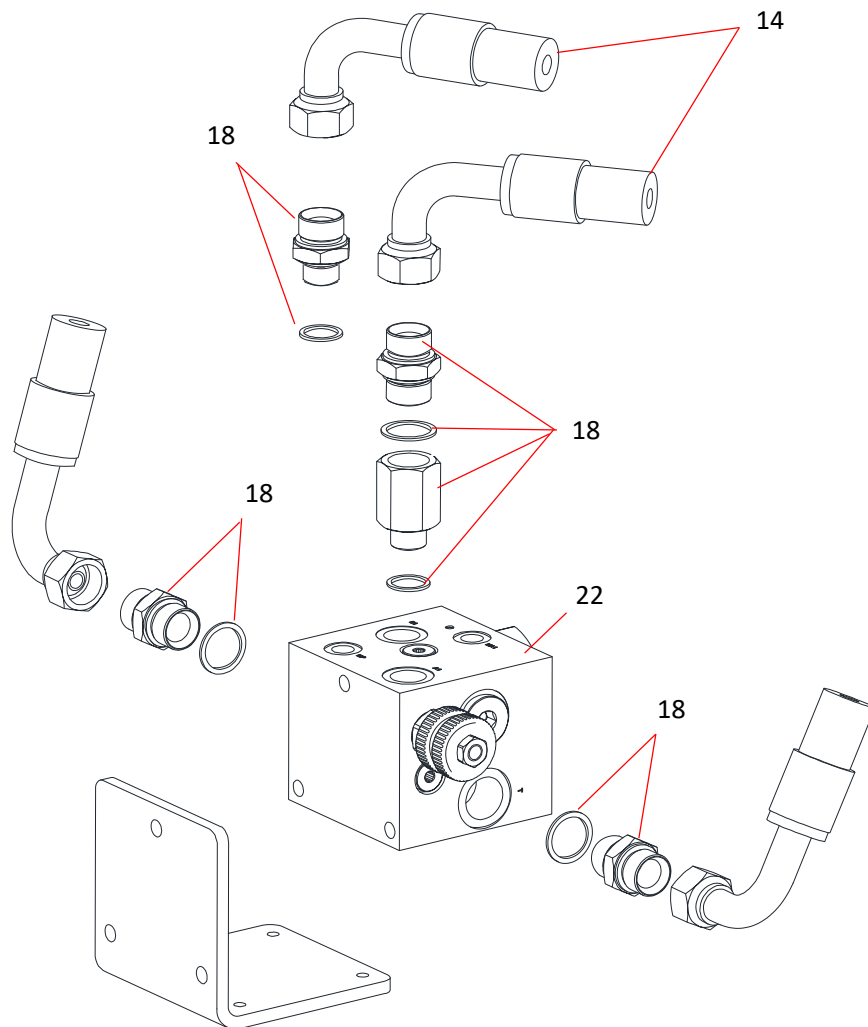


HYDRAULIC GENERATOR SET (1/3)



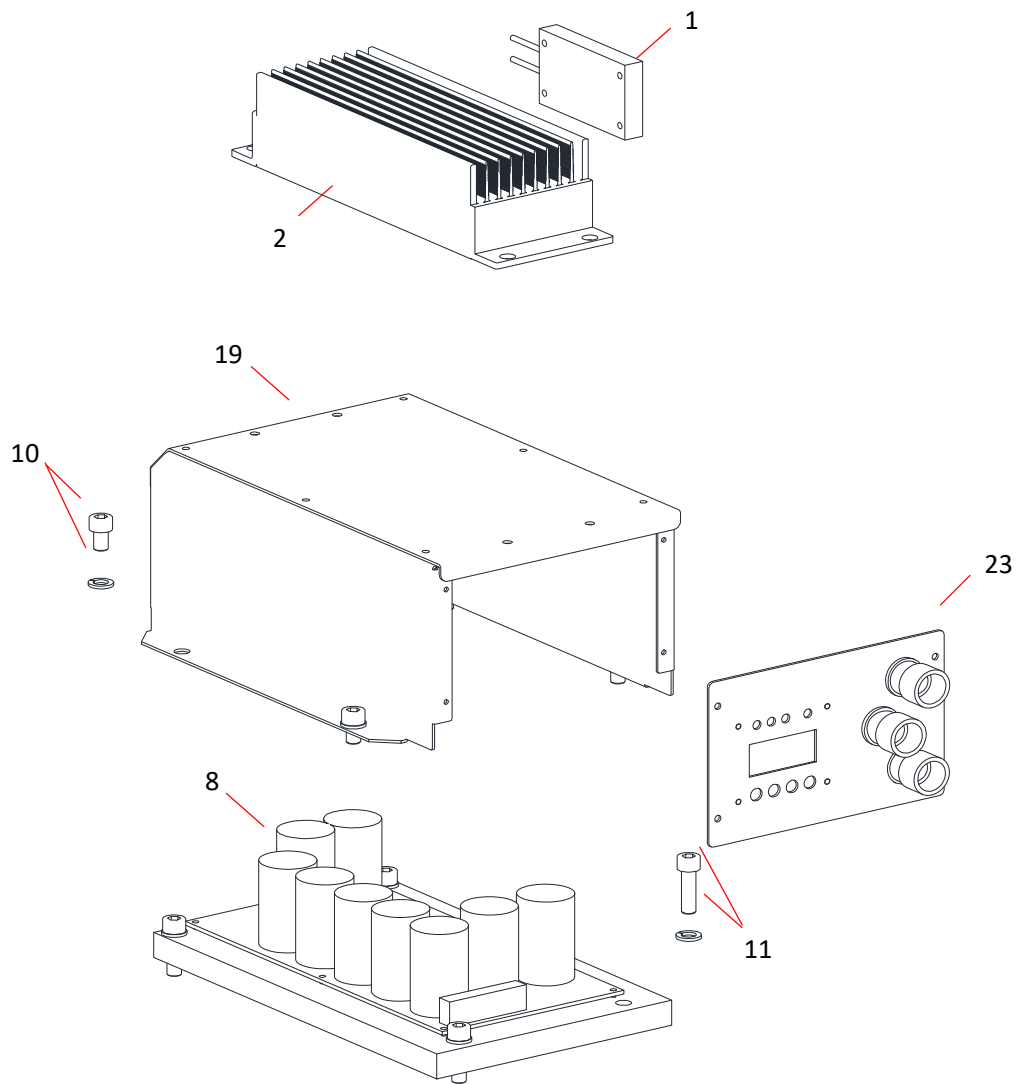
POS.	Q,TY	PART No.	DESCRIPTION
3	1	GNCC001.ST	ELECTRIC GENERATOR
4	1	LMI.006	MOTOR-TO-GENERATOR BELL
5	1	GIUNTO.EL.M	HOUSING
6	1	PGCM.003.1	GENERATOR-SET BASE PLATE
7	1	SSL.004	BELL HOUSING HOLDER
9	1	KIT105GCM008	HYDRAULIC MOTOR NIPPLE SET
12	1	KIT105GCM004	SCREWS SET
13	1	KIT105GCM005	SCREWS SET
15	1	CP912	HYDRAULIC MOTOR FITTING
16	1	CP934	HYDRAULIC MOTOR FITTING
17	1	KIT105GCM006	ELECTRIC GENERATOR SCREWS SET
20	1	KIT105GCM007	RUBBER MOUNTS SET
21	1	PPI01	HYDRAULIC MOTOR
22	1	VLVI01.ST	HYDRAULIC VALVE BLOCK

HYDRAULIC GENERATOR SET (2/3)



POS.	Q,TY	PART No.	DESCRIPTION
14	4	KIT105GCM010	HOSES SET
18	1	KIT105GCM009	VALVE FITTINGS SET
19	2	CART.EL.	ELECTRONIC CONTROLLER COVER
22	1	VLVI01.ST	HYDRAULIC VALVE BLOCK

HYDRAULIC GENERATOR SET (3/3)



POS.	Q,TY	PART No.	DESCRIPTION
1	1	RST001	RESISTOR
2	1	RST002	RESISTOR
8	1	SCCM.7C	MOTHERBOARD GROUP
10	1	KIT105GCM002	CONTROLLER COVER SCREWS SET
11	1	KIT105GCM003	HEATSINK AND MOTHERBOARD
19	2	CART.EL.	ELECTRONIC CONTROLLER COVER
23	1	DISP49	LOGIC BOARD WITH DISPLAY